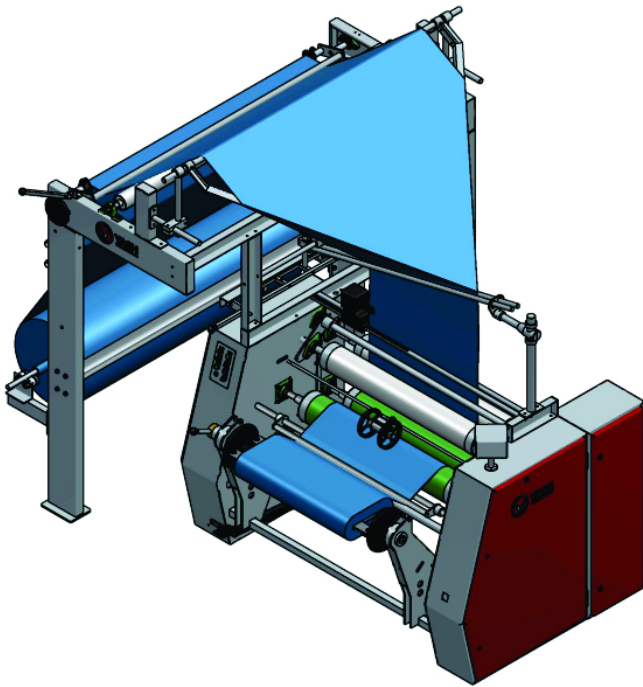


Fabric Folding



Standard Features

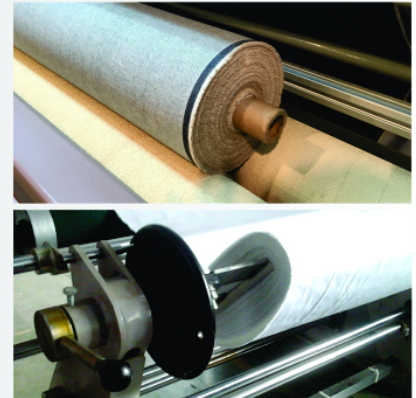
- Full forward run only
- Electronic length counter meter
- Manual selvedge guider on doubling the fabric
- Variable roll compactness

Optionals

- End detector
- Auto selvedge guider on doubling

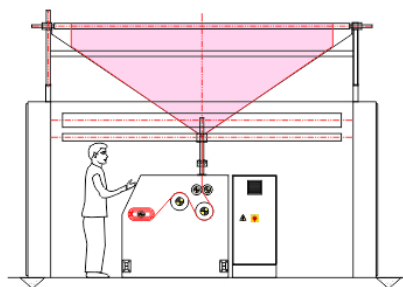
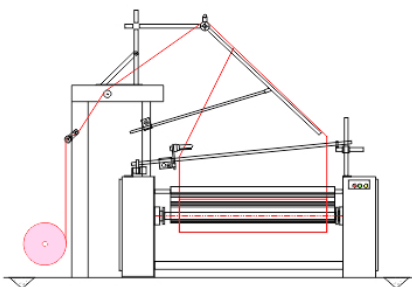
Specifications :

Machine	: Fabric Folding
Make	: Yash
Model	: Foldmatic Standard
Industrial Field	: Woven
Working Width	: 1800 / 2200 / 3400 / 3800 mm
Machine Speed	: 5 - 50 mtrs./min
Roll Diameter	: Book Fold - 40 mtrs. / Roll dia - 500 mm
Input Options	: Single
Output Options	: Single
Panel	: IP55
Input Supply	: 440V AC. 3 Phase + Neutral & Earth Wire, 50 Hz. # Can Be Client Specific
Certification	: CE Marking



Foldmatic Standard
Textile - Woven

Folding



Output Options



Book Fold



Surface Winder