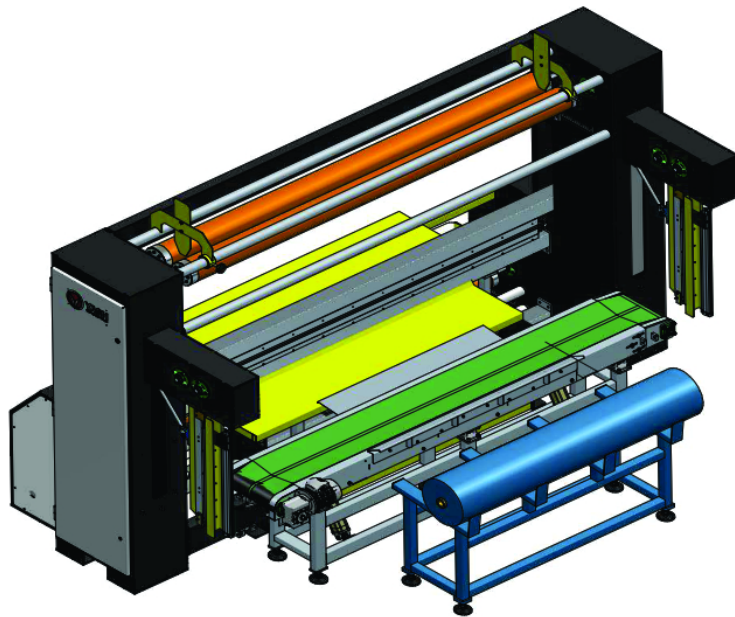


Fabric Roll Packing



Standard Features

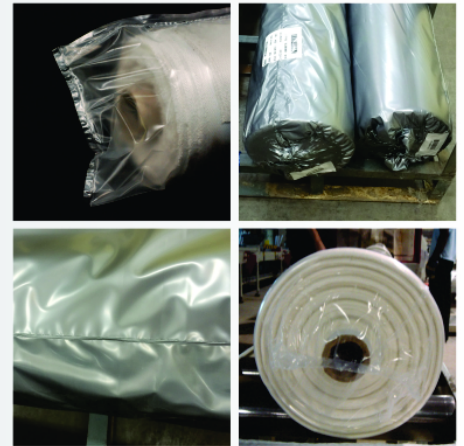
- Packing by poly film
- Self adapting machine for different diameter and length of rolls
- Auto roll dia. & length calculation
- Automatic wrapping of poly film
- Auto poly film cutting
- Automatic length sealing
- Auto side sealing
- Adaptable to conveyor and packing system

Optionals

- Various end closure combination possible

Specifications :

Machine	: Packing
Make	: Yash
Model	: Packomat - FAP 100
Industrial Field	: All Textiles
Working Width	: 2000 / 3400 mm
Machine Speed	: 90 - 120 rolls / hr
Object	: Roll
Object size	: 400 / 600 mm
Input Options	: Roll
Output Options	: Packed Roll
Panel	: IP55
Input Supply	: 440V AC. 3 Phase + Neutral & Earth Wire, 50 Hz. # Can Be Client Specific
Certification	: CE Marking



Packomat - FAP 100
Textiles - All

Fully Auto Packing

