

Fabric Preparation



Standard Features

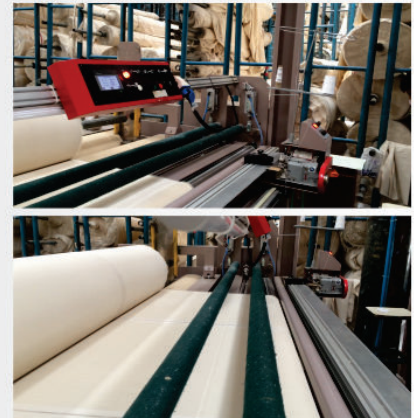
- End detector
- Uniform tension controls
- Full forward run
- Electronic length counter meter
- Machine speed indicator

Optionals

- Auto input feed system
- Auto core pipe ejection
- Auto cross cutter
- Railway stitching machine
- Adjustable pile width at output
- Auto edge and centre slitters

Specifications :

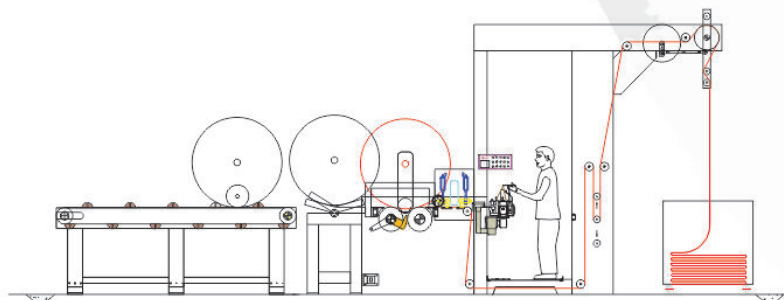
| | |
|------------------|---|
| Machine | : Fabric Preparation |
| Make | : Yash |
| Model | : Prepomatic - Roll Opening |
| Industrial Field | : Woven / Non-Woven / Technical Textiles |
| Working Width | : 1800 / 2200 / 3400 / 3800 mm |
| Machine Speed | : 5 - 50 mtrs./min |
| Roll diameter | : Upto 1500 mm |
| Input Options | : Single or Multiple |
| Output Options | : Single |
| Panel | : IP55 |
| Input Supply | : 440V AC. 3 phase + neutral & Earth wire, 50 Hz. # Can be client specific |
| Certification | : CE Marking |



Prepomatic

Textiles - Woven / Non-Woven / Technical Textiles

Roll Opening



MODULE
MIX **MM**