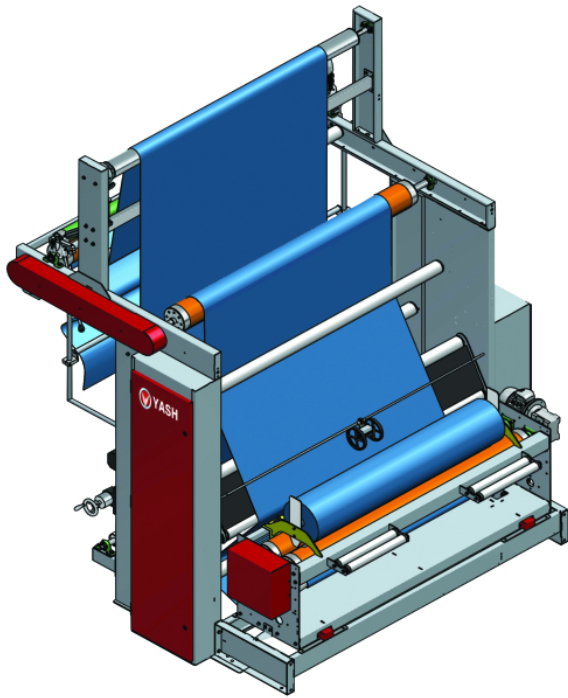


Fabric Rolling



Standard Features

- Uniform tension controls
- Full forward & reverse
- Electronic length counter meter
- Scroll roll to control crease
- Bow pipe to control crease
- Selvage guider for straight rolling

Optionals

- End detector
- Selvage shifting device for thick selvage
- Variable roll compactness
- Auto cross cutter & weighing
- Auto edge and centre slitters
- Adaptable to logistics & packing systems

Specifications :

Machine	: Fabric Rolling
Make	: Yash
Model	: Rollmatic Premier
Industrial Field	: Woven / Non-Woven / Technical Textiles
Working Width	: 1800 / 2200 / 3400 / 3800 mm
Machine Speed	: 10 - 80 mtrs./min
Roll diameter	: 1500 mm
Input Options	: Single or Multiple
Output Options	: Single
Panel	: IP55
Input Supply	: 440V AC. 3 Phase + Neutral & Earth Wire, 50 Hz. # Can Be Client Specific
Certification	: CE Marking

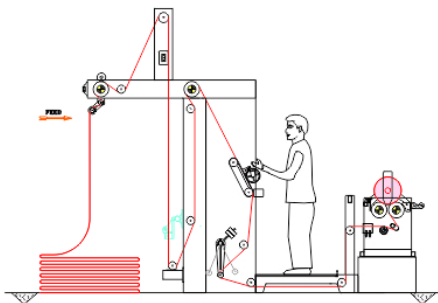


Rollmatic Premier

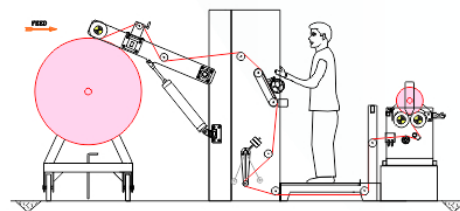
Textiles - Woven / Non-Woven / Technical Textiles

Fabric Rolling

MODULE
MIX **MM**



PILE - SWBO



SUBB - SWBO

YASH TEXTILE MACHINES PVT. LTD., 308, 309 - Emerald Plaza, Block-IV, Hiranandani Meadows, Thane (W) - 400 610. Maharashtra, India.

T: +91-22-2173 0821 / 22 | sales@yashtex.com | www.yashtex.com